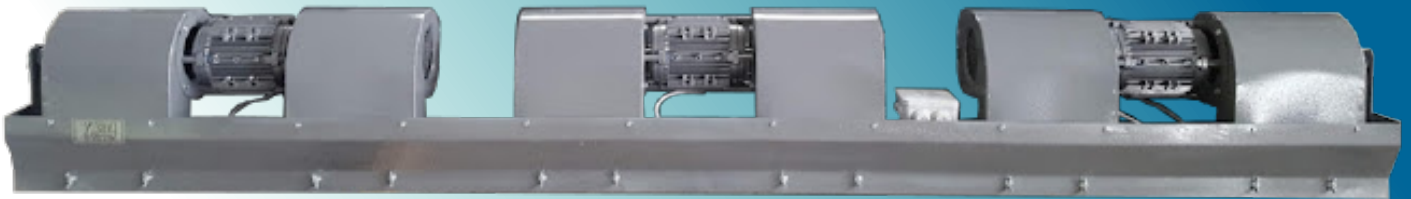


AIR CURTAIN



Air curtains are ideal as insulators for temperature differences, insects, dust and exhaust fumes. They can also be used for cold storage rooms FI BA; 0°C - Outside cells with temperatures up to 5°C - Outside of low temperature cells up to 30°. Modules in different sizes with relative brackets, feet and fixing elements. Complete set of control boxes and related wiring. Made of painted steel.

Motor 2800rpm V400 (three-phase motor) Hz50
Air flow rate of approximately 3000 m³/h with pressure from 8,5 mm H₂O (EP-DAD 108)

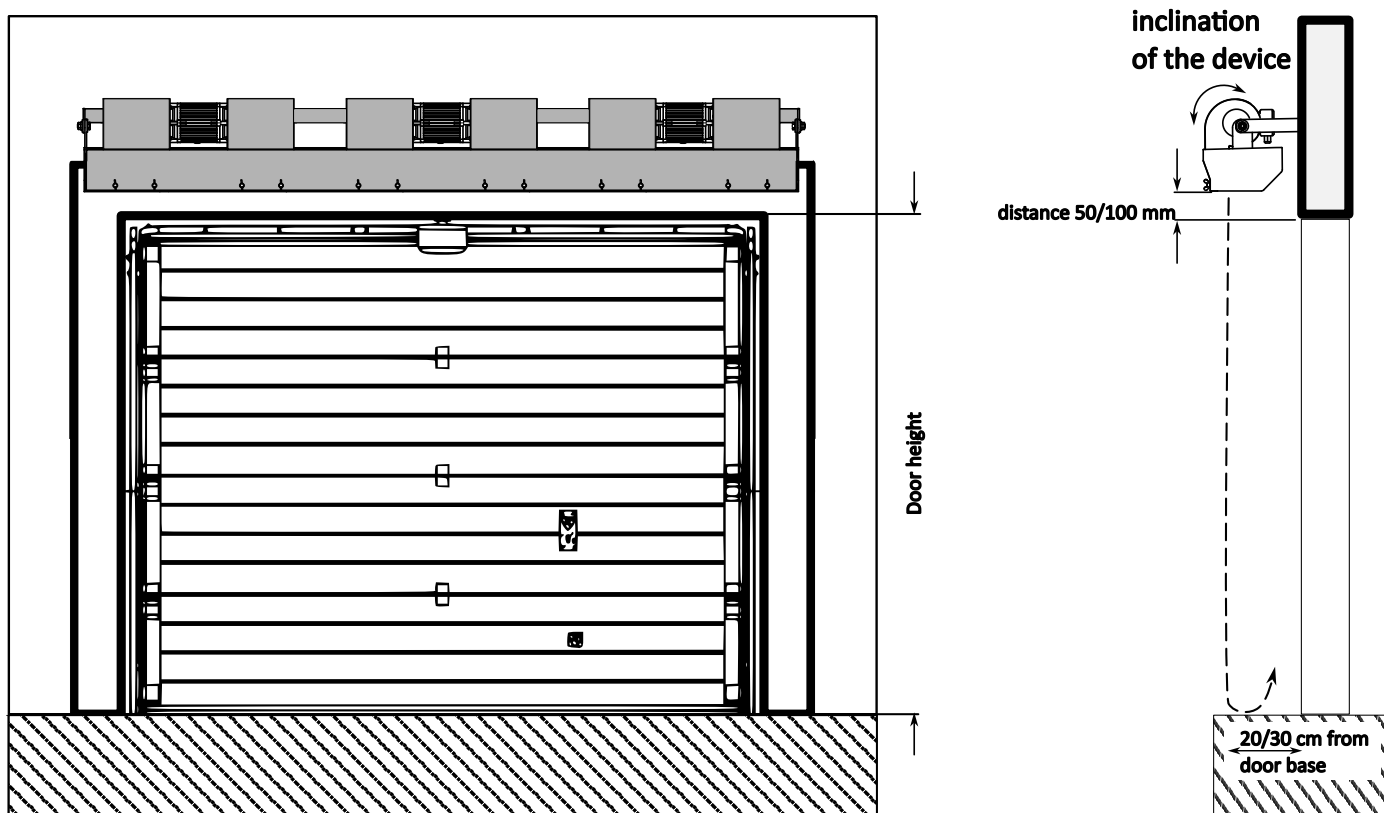
Motor 2800rpm V400 (three-phase motor) Hz50
Air flow rate of approximately 4500 m³/h with pressure from 45 mm H₂O (EP-DAD-AP 160)

Ventilmotor S.r.l.

Uffici e stabilimento: Via Piaggio, 74 - 20037 Paderno Dugnano (Mi) - **Sede Legale:** Via G. Pogliani, 34 - Paderno Dugnano (Mi)
Tel. +39 02.9101051 / +39 02.99041382 - Fax: +39 02.9103661 - info@ventilmotor.com - www.ventilmotor.com
Cap. Sociale € 10400,00 i.v. - REA 1519030 - N. Registro Imprese MI 53691 - Partita IVA 02632870966

Description

The airflow is from top to bottom. Air curtain is composed of one or more double inlet centrifugal fans, depending on the size of the door. the device must be installed approximately 100 mm more than the door.



Note

- The devices are equipped with limit switch and starting when the door opens.
- They can also be mounted side by side to complete different measures.
- On request available in AISI304 - AISI316

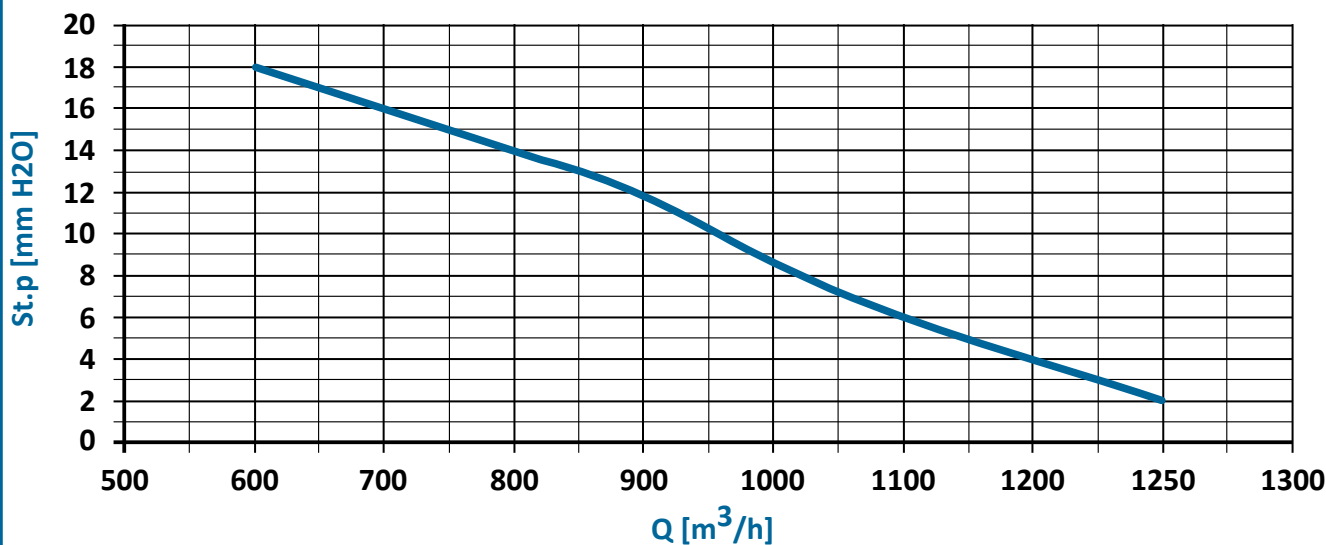
Ventilmotor S.r.l.

Uffici e stabilimento: Via Piaggio, 74 - 20037 Paderno Dugnano (Mi) - **Sede Legale:** Via G. Pogliani, 34 - Paderno Dugnano (Mi)
Tel. +39 02.9101051 / +39 02.99041382 - Fax: +39 02.9103661 - info@ventilmotor.com - www.ventilmotor.com
Cap. Sociale € 10400,00 i.v. - REA 1519030 - N. Registro Imprese MI 53691 - Partita IVA 02632870966

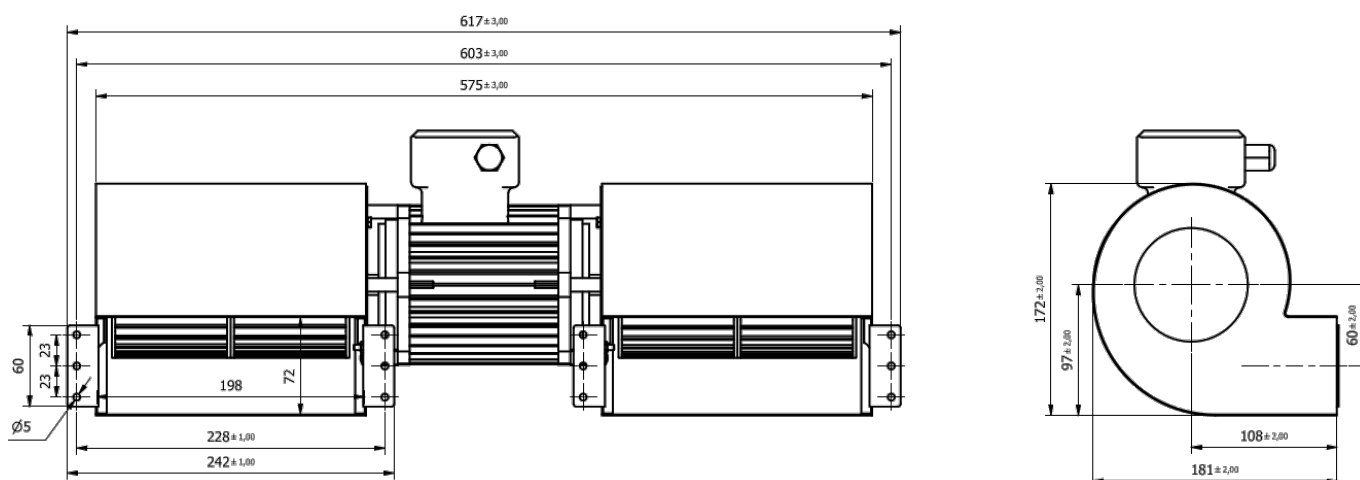
AIR CURTAIN P108			
N. motors	Lenght	Door height [m]	Installed Power [kW]
1	870	3	0,25
1	1150	3	0,25
1	1250	3	0,25
2	1480	3	0,5
2	1600	3	0,5
2	1800	3	0,5
2	1900	3	0,5
3	2150	3	0,75
3	2500	3	0,75

AIR CURTAIN P160			
N. motors	Lenght	Door height [m]	Installed Power [kW]
1	870	5	0,37
1	1150	5	0,37
1	1250	5	0,37
2	1480	5	0,74
2	1600	5	0,74
2	1800	5	0,74
2	1900	5	0,74
3	2150	5	1,11
3	2500	5	1,11

Modello / Model	EP-DAD 108
Tipo / Type	Centrifugal fan
Potenza installata / Installed power (kW)	0,25 kW - 2800rpm
Tensione e frequenza / Tension and frequency	V230/400V 50Hz

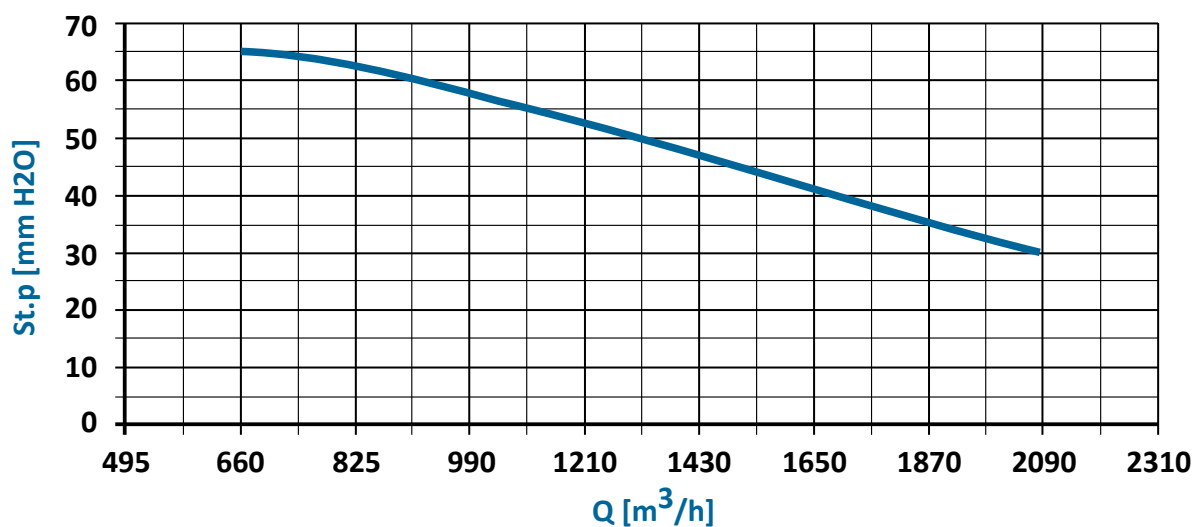


Livello di rumorosità a 1,5m / Noise level at 1,5mt (dbA)	68
Tipo di motore / Motor type	B3

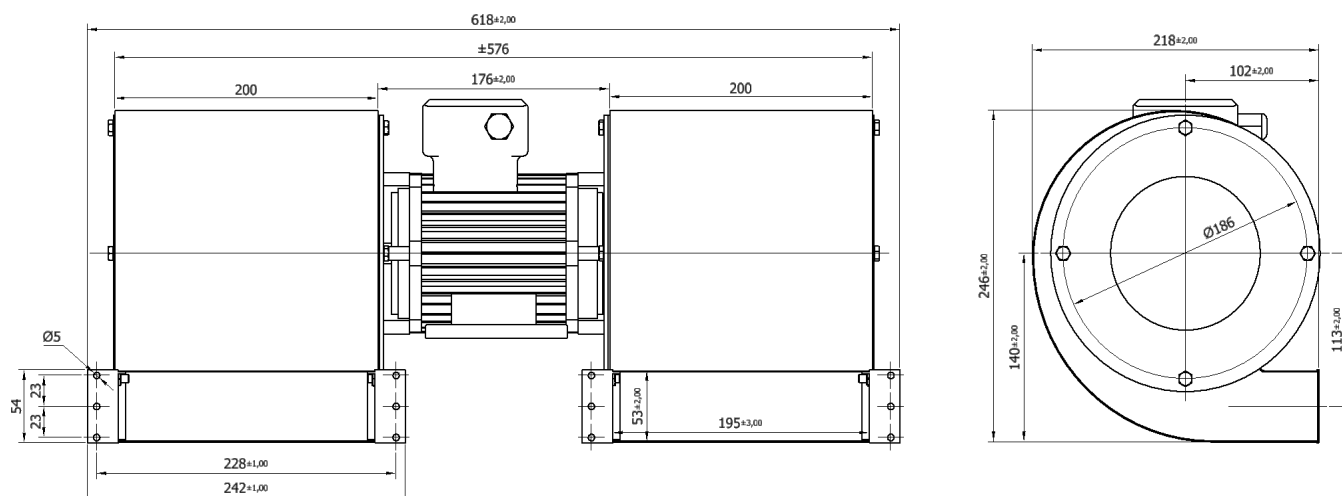

Ventilmotor S.r.l.

Uffici e stabilimento: Via Piaggio, 74 - 20037 Paderno Dugnano (Mi) - **Sede Legale:** Via G. Pogliani, 34 - Paderno Dugnano (Mi)
 Tel. +39 02.9101051 / +39 02.99041382 - Fax: +39 02.9103661 - info@ventilmotor.com - www.ventilmotor.com
 Cap. Sociale € 10400,00 i.v. - REA 1519030 - N. Registro Imprese MI 53691 - Partita IVA 02632870966

Modello / Model	EP-DAD-AP160
Tipo / Type	Centrifugal fan
Potenza installata / Installed power (kW)	0,37 kW - 2800rpm
Tensione e frequenza / Tension and frequency	V230/400V 50Hz



Livello di rumorosità a 1,5m / Noise level at 1,5mt (dbA)	70
Tipo di motore / Motor type	B3


Ventilmotor S.r.l.

Uffici e stabilimento: Via Piaggio, 74 - 20037 Paderno Dugnano (Mi) - **Sede Legale:** Via G. Pogliani, 34 - Paderno Dugnano (Mi)
 Tel. +39 02.9101051 / +39 02.99041382 - Fax: +39 02.9103661 - info@ventilmotor.com - www.ventilmotor.com
 Cap. Sociale € 10400,00 i.v. - REA 1519030 - N. Registro Imprese MI 53691 - Partita IVA 02632870966